

**Part Number: PT347-42130**

**Kit Contents**

Item #	Quantity Req.	Description
1	1	Convenience Net

**Hardware Bag Contents**

Item #	Quantity Req.	Description

**Additional Items Required For Installation**

Item #	Quantity Req.	Description

**Conflicts**

None
------

**Recommended Tools**

<b>Personal &amp; Vehicle Protection</b>	<b>Notes</b>
None	
<b>Special Tools</b>	<b>Notes</b>
None	
<b>Installation Tools</b>	<b>Notes</b>
None	
<b>Special Chemicals</b>	<b>Notes</b>
None	

**General Applicability**

Models <b>Without</b> Sub-woofer
----------------------------------

**Recommended Sequence of Application**

Item #	Accessory

\*Mandatory

**Vehicle Service Parts** (may be required for reassembly)

Item #	Quantity Req.	Description

**Legend**



**STOP:** Damage to the vehicle may occur. Do not proceed until process has been complied with.



**OPERATOR SAFETY:** Use caution to avoid risk of injury.



**CAUTION:** A process that must be carefully observed in order to reduce the risk of damage to the accessory/vehicle and to ensure a quality installation.



**TOOLS & EQUIPMENT:** Used in Figures calls out the specific tools and equipment recommended for this process.



**REVISION MARK:** This mark highlights a change in installation with respect to previous issue.



**SAFETY TORQUE:** This mark indicates that torque is related to safety.

Care must be taken when installing this accessory to ensure damage does not occur to the vehicle. The installation of this accessory should follow approved guidelines to ensure a quality installation.

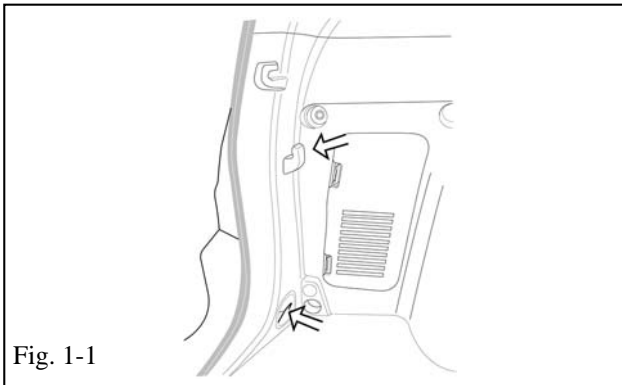
These guidelines can be found in the "Accessory Installation Practices" document.

This document covers such items as:-

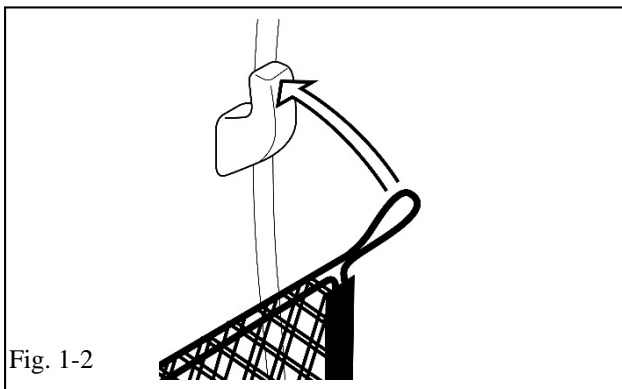
- Vehicle Protection (use of covers and blankets, cleaning chemicals, etc.).
- Safety (eye protection, rechecking torque procedure, etc.).
- Vehicle Disassembly/Reassembly (panel removal, part storage, etc.).
- Electrical Component Disassembly/Reassembly (battery disconnection, connector removal, etc.).

Please see your Toyota dealer for a copy of this document.

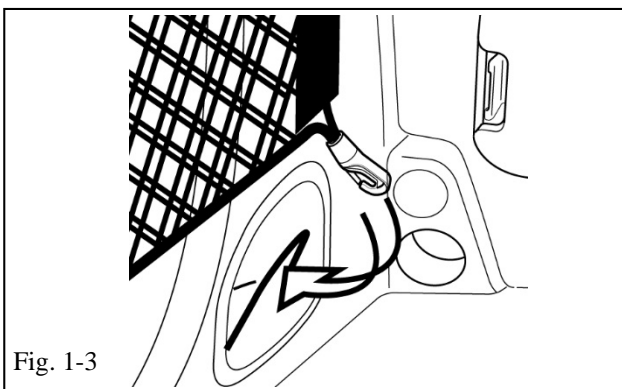
### 1. Installation of Cargo Net.

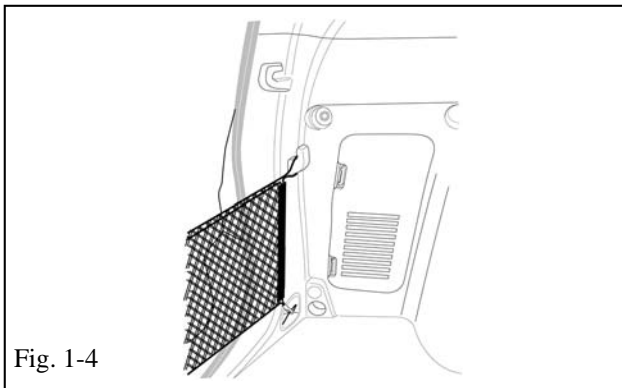


- (a) Open hatch, locate anchor locations on the driver's side of the vehicle (Fig 1-1.)
- (b) Cover rear bumper and rear cargo area with blankets or protective cover(s).
- (c) Attach loop at the top of the net to the vehicle hook on the vehicle as shown (Fig. 1-2).



- (d) Attach hook at the bottom of the net to the D-ring on the vehicle as shown (Fig. 1-3).



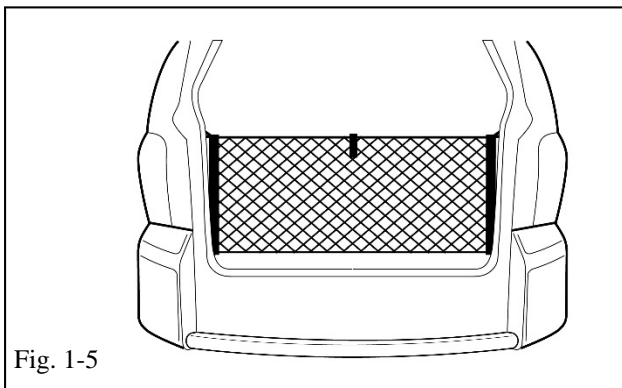


(e) Review driver's side attachment (Fig. 1-4).

(f) Repeat steps 1(a) through 1(d) for the passenger's side of the vehicle.



(g) Confirm completed assembly. Make sure net handle is facing out toward the rear of the vehicle (Fig. 1-5).



Checklist - these points **MUST** be checked to ensure a quality installation.

<u>Check:</u>	<u>Look For:</u>
<p><u>Accessory Function Checks</u></p> <p><input type="checkbox"/> Confirm that the net is attached properly to the anchor points in the vehicle.</p>	<p>Make sure hooks are attached to floor D-rings and the loops are attached to the vehicle hooks at the top, and the net handle is facing out toward the rear of the vehicle.</p>
<p><u>Vehicle Function Checks</u></p> <p><input type="checkbox"/> Vehicle door operation</p>	<p>Confirm vehicle door open and closes without interference from Cargo Net.</p>
<p><u>Vehicle Appearance Check</u></p> <p><input type="checkbox"/> After accessory installation and removal of protective cover(s), perform a visual inspection.</p>	<p>Ensure no damage (including scuffs and scratches) was caused during the installation process. (For PPO installations, refer to TMS Accessory Quality Shipping Standard.)</p>