

Preparation

Part Number: PU100-3415S 01 Short Bed
PU100-3415R 01 Regular Bed
Kit Contents PU100-3415L 01 Long Bed

NOTE: Part number of this accessory may not be the same as the part number shown.

Color Applicability / Trim Level

Table with 3 columns: Item #, Quantity Req'd, Description. Rows include Tonneau Cover, Side Rails, Drain Tubes, and Hardware Bag.

Color applicability grid with Vehicle/Trim Color on the y-axis and Accessory Color on the x-axis.

Hardware Bag Contents

Table with 3 columns: Item #, Quantity Req'd, Description. Rows include User Manual, Clamp Bracket, T30 Torx, Mounting Hardware, Foam Seal roll, and Hex Key.

General Applicability

The Tonneau Cover requires Toyota accessory rails to be installed properly.

Additional Items Required for Installation

Table with 3 columns: Item #, Quantity Req'd, Description. Row includes Bed Rails -Where vehicle is not equipped with accessory rails.

Recommended Sequence of Application

Table with 2 columns: Item #, Accessory. Rows include Bedliner, Tonneau Cover, and Accessory Rails.

Conflicts

Table with 2 columns: Item #, Description. Rows include Bed Divider PT767 34070 and Bed Liners not compatible with Toyota accessory rails.

*Mandatory

Vehicle Service Parts (may be required for reassembly)

Table with 3 columns: Item #, Quantity Req'd, Description.

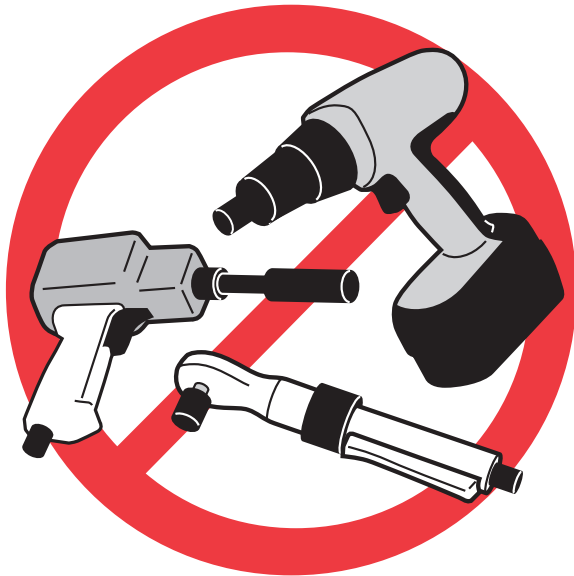
Recommended Tools

Table with 2 columns: Category (Personal and Vehicle Protection, Special Tools, Installation Tools, Special Chemicals) and Notes.

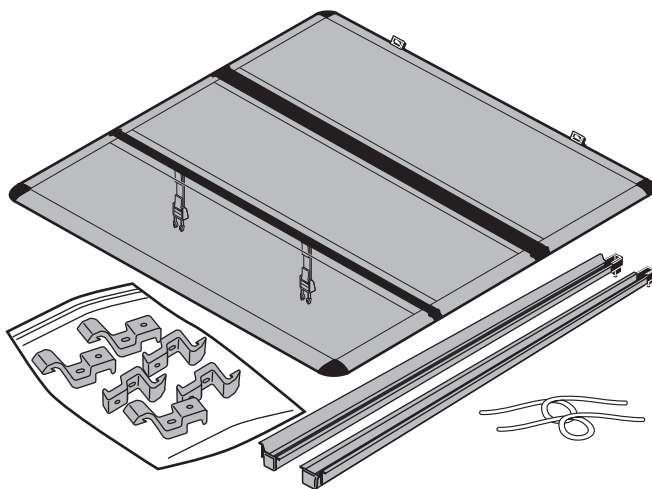
Legend

Legend containing symbols and text for STOP, OPERATOR SAFETY, CAUTION, TOOLS & EQUIPMENT, REVISION MARK, and SAFETY TORQUE.

Care must be taken when installing this accessory to ensure the tonneau cover is properly installed and secured, and to help avoid damage to the vehicle. Please follow the installation instructions contained in this document.



No Power Tools



Pre-Installation Preparation



Note: Failure to follow can result in fastener failure.

1. DO NOT use power tool to install or tighten any of the kit hardware, i.e. Impact wrenches, air ratchets, or cordless driver/impact wrenches.



- (a) Remove the Tonneau Cover, Side Rails, Drain Tubes and Hardware Bag from packaging. Identify all parts and check contents for any damage.



- (b) Remove all hardware from kit, including Clamp Kit, Bolts and Mounting Hardware.



- (c) Secure the vehicle in a safe position prior to beginning the installation.



- (d) Follow the installation and torque sequence to ensure a successful installation.

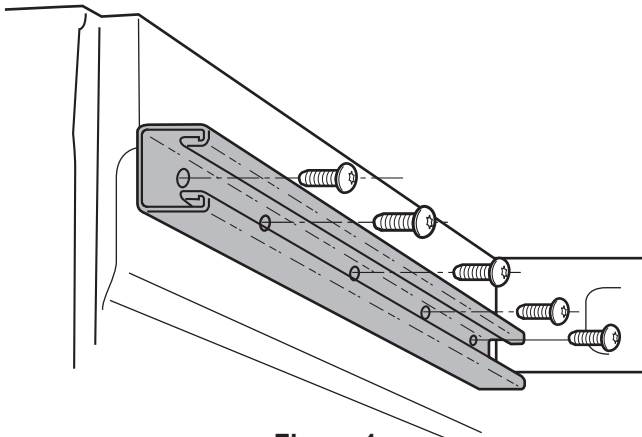


Figure 1



T-30 Torx Driver, 3/8" Drive, Short Extension, Ratchet

1. Remove Factory Bed Rails (if applicable)

- a) Use T-30 Torx driver to remove the bed rail mounting bolts. Keep these bolts in a safe place, as they will be re-used to mount the rails to the tonneau clamp brackets. (Fig. 1)

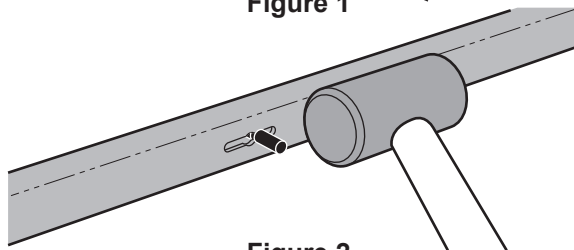


Figure 2



Plastic Mallet

- b) From the back side of the accessory rail, using a plastic mallet, lightly tap the locator peg towards the larger opening in center "keyhole" in the rail. Remove and discard the peg. (Fig. 2)



NOTE: Two locator pegs per accessory rail.

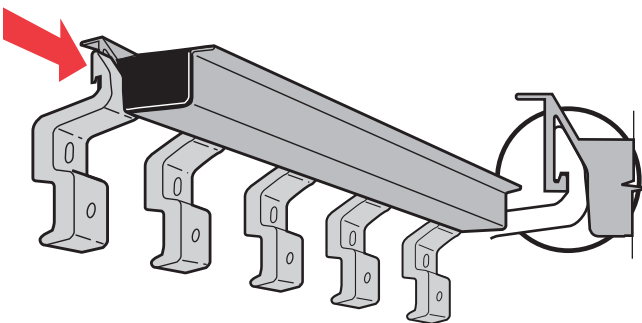


Figure 3

2. Install Clamps into Side Rails

- a) Slide clamps into side rail grooves. Spread evenly along length of rails. Exact location will be determined when installing rails onto truck bed. (Fig. 3)

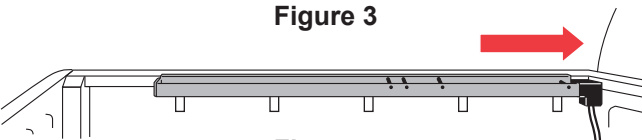


Figure 4

3. Install Side Rails onto Truck Bed

- a) Position tonneau side rail on truck bed. (Fig. 4)



NOTE: Place side rails on truck bed so that the endcap containing the drain is toward the front of the bed.

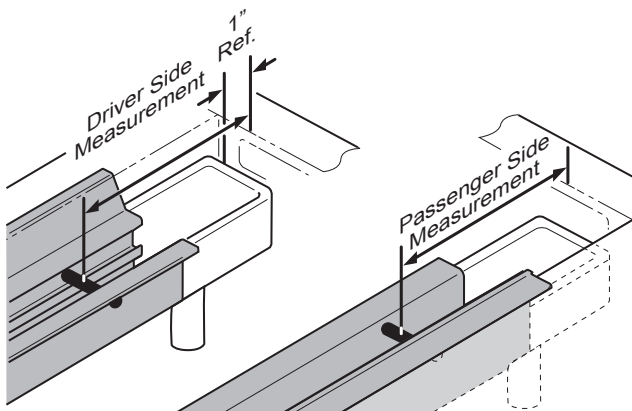


Figure 5



Tape Measure

- b) Position tonneau side rails on truck bed 1" (25.4mm) back from the cab rail sheetmetal edge. (Fig. 5)

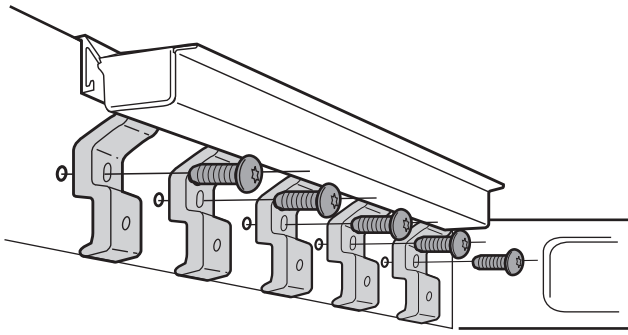


Figure 6



T-30 Torx Driver, 3/8" Drive, Short Extension, Ratchet

(b) Align slots in clamp brackets with threaded holes in truck bed sides and install supplied mounting bolts. (Fig. 6)



NOTE: Do not fully tighten bolts at this stage.



NOTE: To ensure proper alignment of the driver and passenger side pins, make sure that both side rails are exactly the same distance. (Fig. 7)

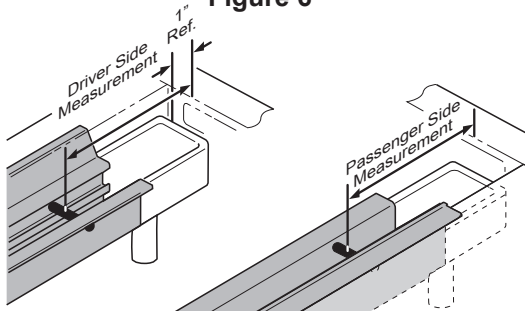


Figure 7



T-30 Torx Driver, 3/8" Drive, Torque Wrench



(d) Tighten and torque all mounting bolts to 7.5 N·m (66.5 lbs-in), being sure to hold rail in place and PUSH side rail DOWN against the bed caps as you tighten the clamp. (Fig. 8)

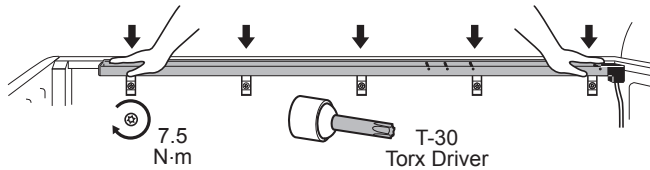


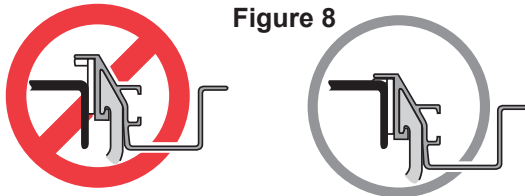
Figure 8



NOTE: Top of rail must contact truckbed side wall to ensure a seal.



NOTE: If truck is equipped with Toyota bed liner, ensure that the liner is not sandwiched between the clamps and the truck bed.



Hex Key (provided)

(e) Align slide-nut at front of side rail so that the set screw aligns with the hole in the rail. Slowly tighten set screw with hex key (provided) against the clamp bracket until side rail is level. (Fig. 9)

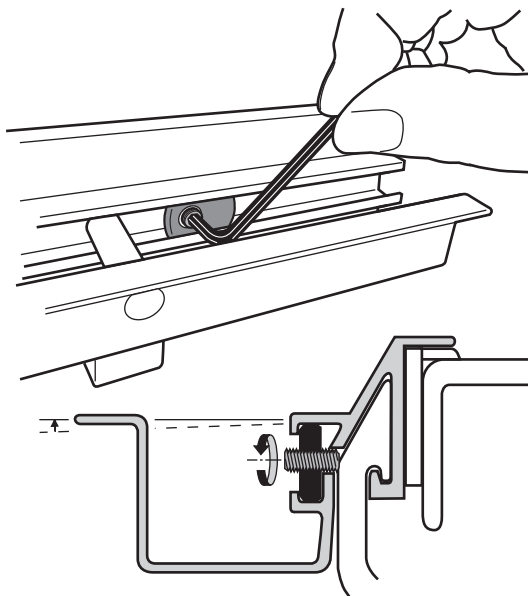


Figure 9



NOTE: Do not over-tighten beyond level.

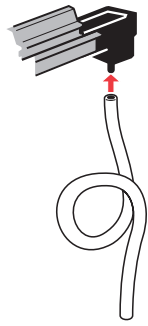


Figure 10

(f) Install drain tubes (2) onto drain caps. (Fig. 10)

NOTE: If the truck is NOT equipped with Toyota bed liner, follow step (g). If the truck is equipped with Toyota bed liner, skip to step (h).

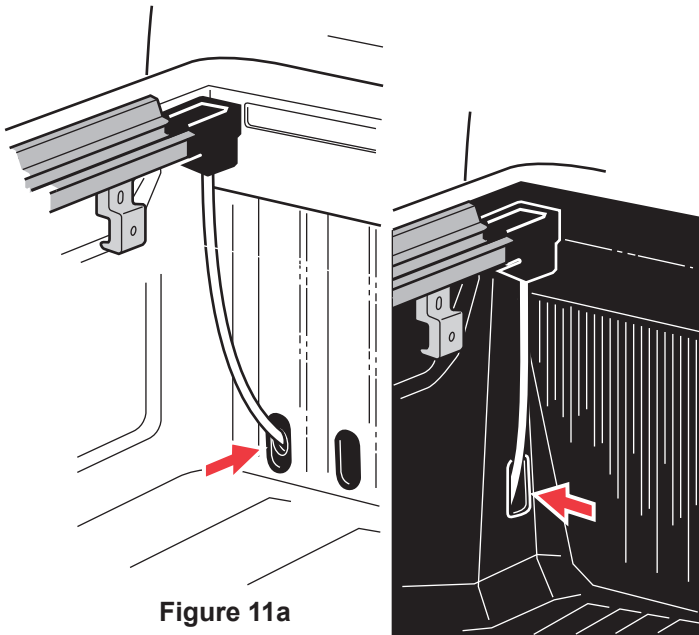


Figure 11a

Figure 11b



Drill, Step Drill Bit 3/4" dia.

(g) Remove outermost drain plugs. Drill a 3/4" hole in each plug. Reinstall the plugs, and then route drain tubes through the drilled holes. (Fig. 11a)

(h) If a Toyota bedliner is present, simply route drain tube through provided hole. (Fig. 11b)



T-30 Torx Driver, 3/8" Drive, Short Extension, Ratchet

4. Reinstall Factory Bed Rails onto Clamp Brackets

a) Using factory bed rail hardware, install bed rails onto bottom holes of clamp brackets. (Fig. 12)



NOTE: Bed cleats must be installed on rail BEFORE rail is mounted to clamp brackets.



T-30 Torx Driver, 3/8" Drive, Torque Wrench



(b) Tighten and torque all mounting bolts to 7.5Nm (66.5 lbs-in), being sure to keep side rails fully seated on bed rails.

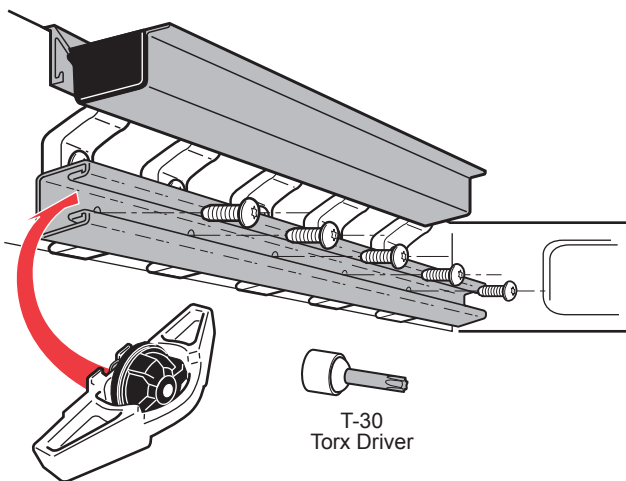


Figure 12

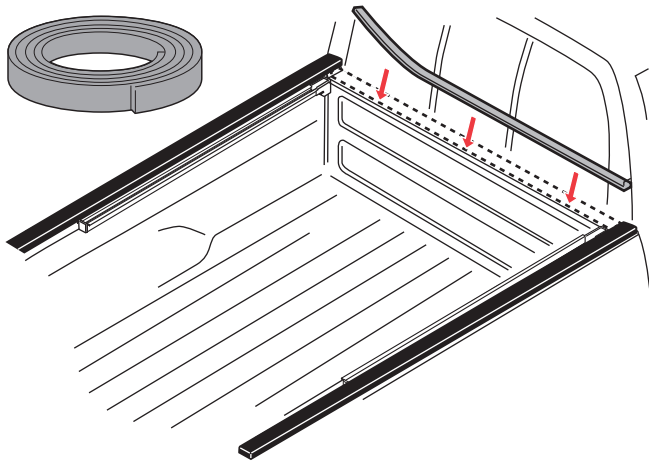


Figure 13

5. Installation of Foam Seal

- a) Clean sheet metal surface before applying seal.
- b) Apply foam seal (included) to front lip of truck bed (below cab rear window) from driver side bed rail cap to passenger side rail cap. (Fig. 13)

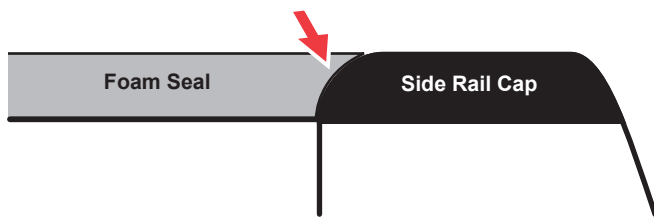


Figure 14



Scissors

- c) Use scissors to cut foam seal at an angle to minimize the gap with side rail cap. (Fig. 14)

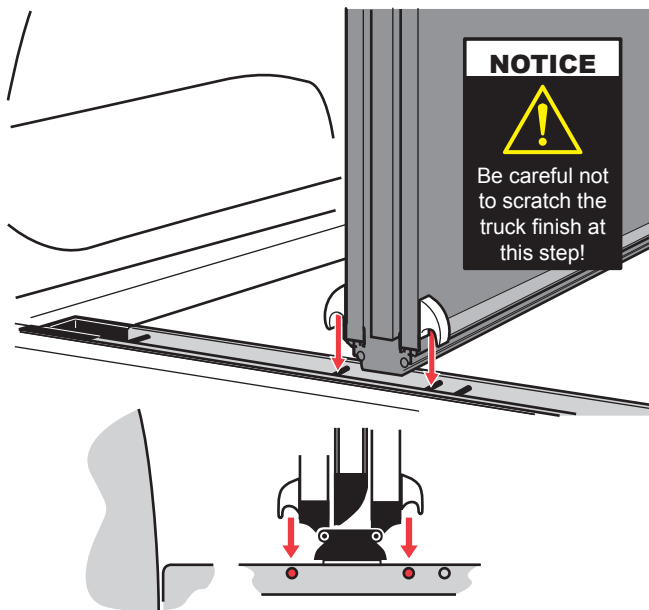


Figure 15

6. Install Tonneau Cover into Side Rails

- a) Lift folded tonneau onto side rails. (Fig. 15, driver side shown) Stand the bundled panel system on the side rails so that the retaining hooks line up with the two pins inside the side rail as shown here.

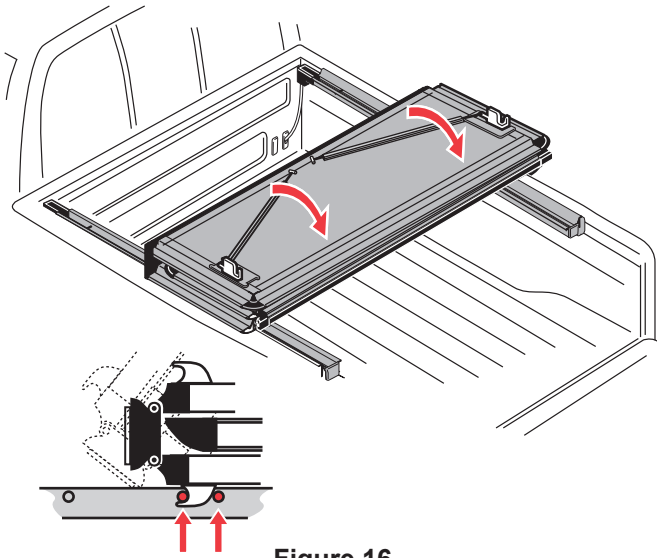


Figure 16

(b) Place center panel down first, being sure to engage the mounting hooks in between the two rearmost retaining pins on both side rails. (Fig. 16)

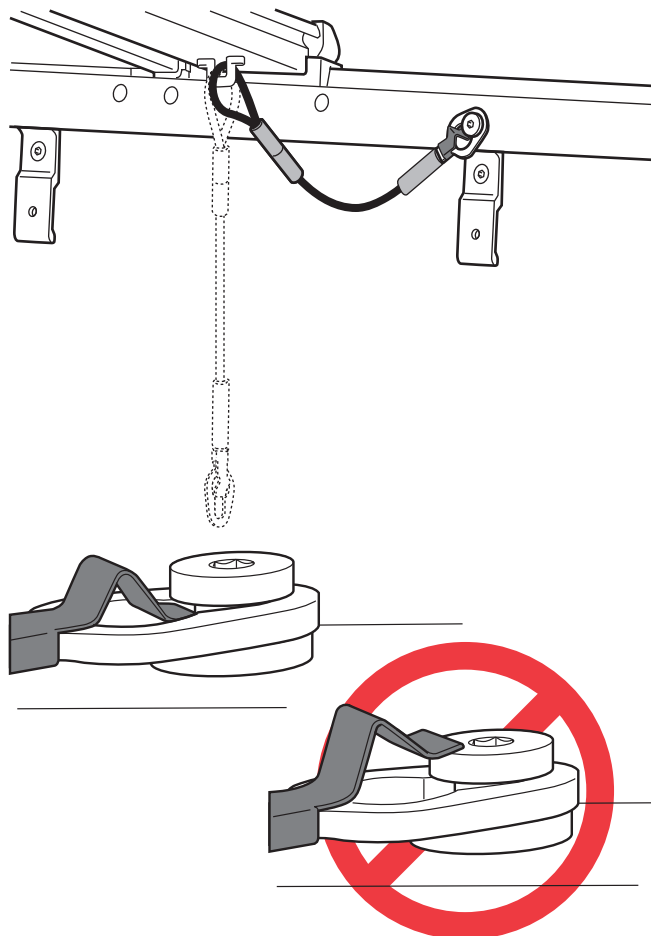


Figure 17

(c) Attach safety cables to underbody rails on both driver and passenger sides. (Fig. 17)



NOTE: Ensure safety cables are securely attached by ensuring spring clip is under pin flange. Repeat for other side.

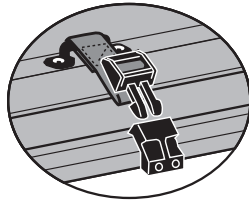


Figure 18

- (c) Unclip the retention straps from the cab panel and carefully fold the panel forward (Fig. 18)

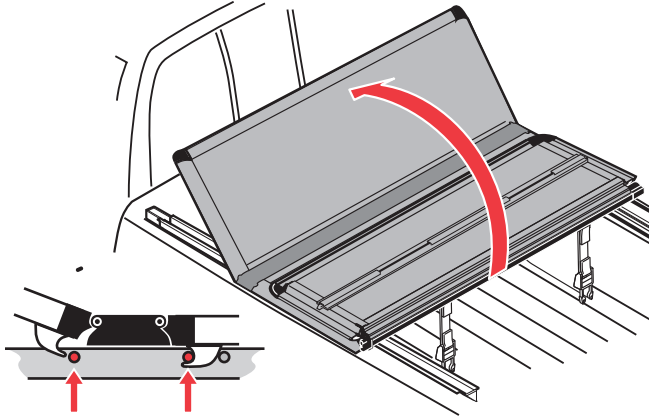


Figure 19

- (d) Visually confirm that the front latches are aligned with the pins in the side rails and gently lower the cover to ensure that nothing hits and causes damage. Slight misalignment can be fixed by making sure mounting hooks in center panel are fully seated against retaining pins in side rails. (Fig. 19)

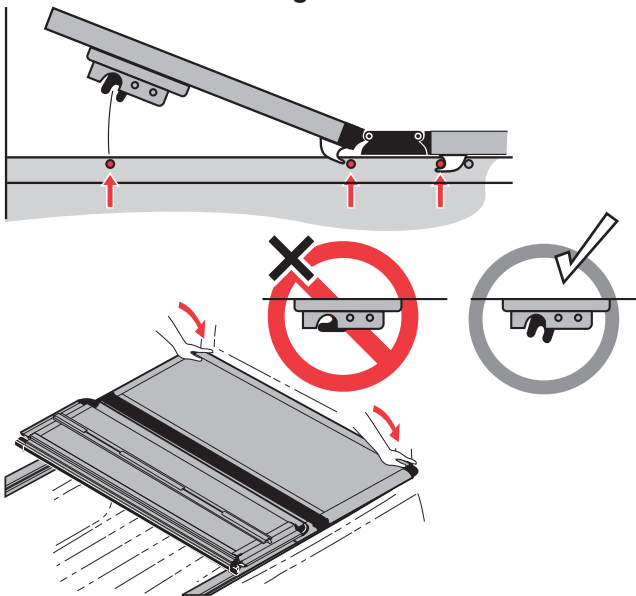


Figure 20

- (e) Press down on cab panel to lock it in place. Lift up on the panel to make sure the panel latched properly. (Fig. 20)

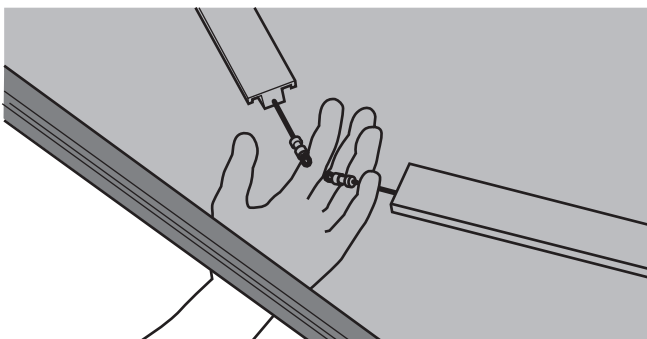


Figure 21

! NOTE: If the front latches do not latch properly, open the front panel. Check alignments and try again (Fig. 21)

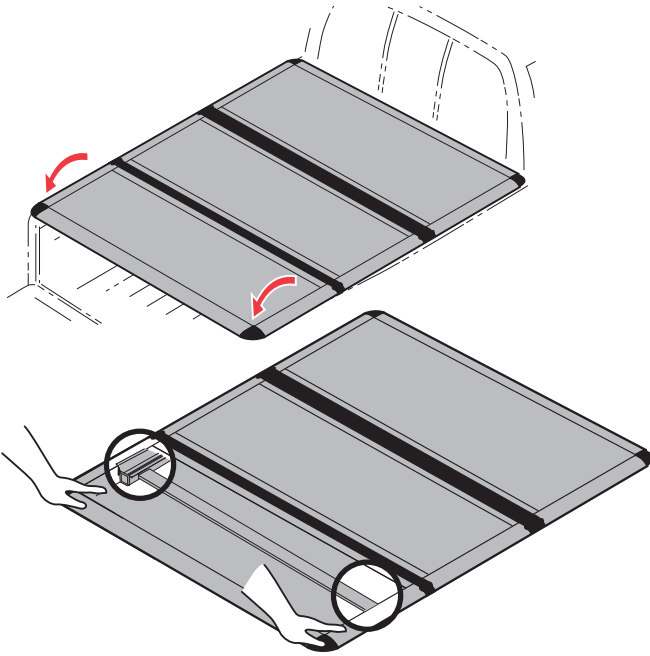
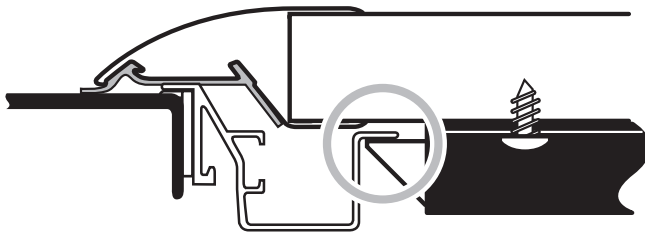


Figure 22

- (f) With tailgate open, unfold tail panel into the closed position and push down onto truckbed. (Fig. 22)



7. Check Tonneau Cover for Fit



- a) Check to see that each tail panel latch makes proper contact with the side rails..



NOTE: If tail panel latch doesn't contact side rail properly...



#2 Phillips Screwdriver



Figure 23

- (b) Hand loosen latch screws and slide the latch toward the side rail, then retighten screws by hand. (Fig. 23)

Checklist - these points MUST be checked to ensure a quality installation.

Check: _____

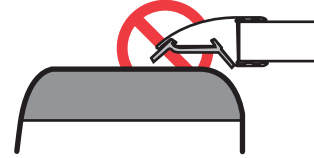
Look For: _____

Accessory Function Checks:

- Rails fully seated on bed sides
- Rails installed flat (level)
- Proper full double latching of both front latches
- Tonneau latches are fully engaged and aligned to side rail pins.
- Correct alignment of rear latch wedges
- Full engagement of rear latch wedges
- Both safety cables must be securely attached

- Both safety cables are connected

- Gaps between lip seals and bed surfaces



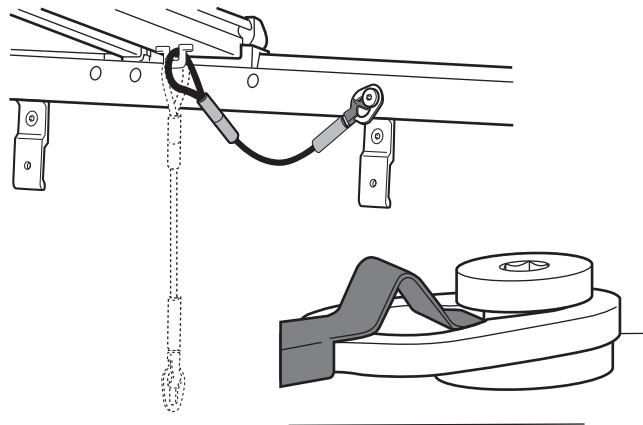
- Lip seal not laying flat or folded under itself



- Rail position flat (level), not pitched upward or downward



Clamp too low pulling side rail down



Vehicle Function Checks:

-
-
-